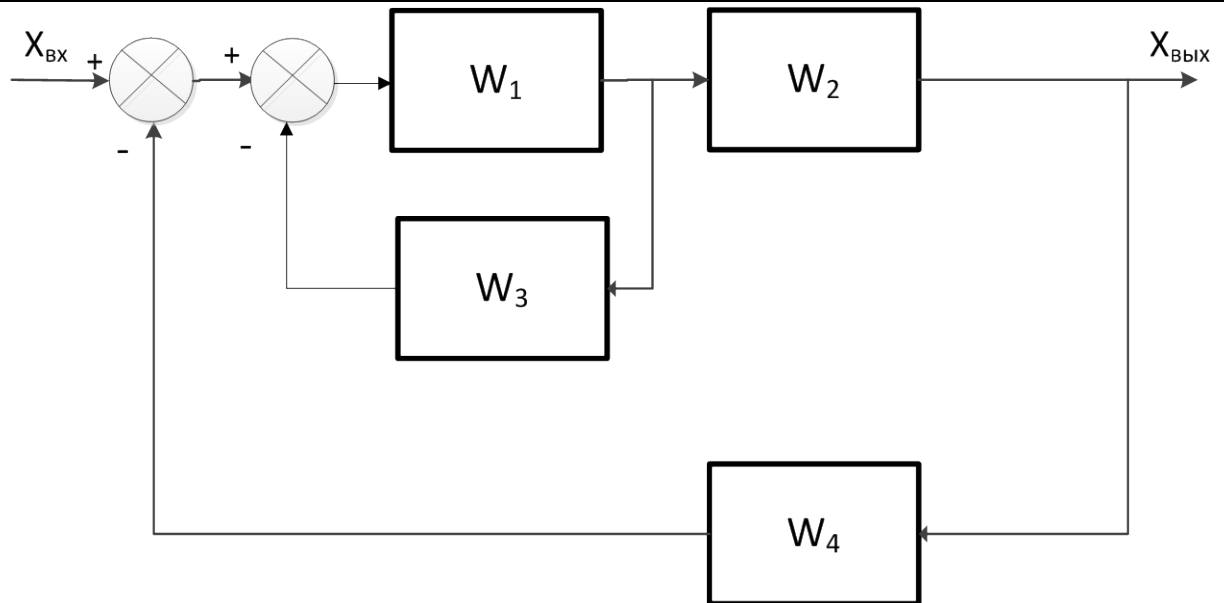


## Вариант 2



$$W_1 = \frac{K_1}{T_1 p}$$

$$K_1 = 1$$

$$T_1 = 10$$

$$W_2 = \frac{K_2}{T_2 p}$$

$$K_2 = 1$$

$$T_2 = 8$$

$$W_3 = K_3$$

$$K_3 = 2$$

–

$$W_4 = K_4$$

$$K_4 = 2$$

–