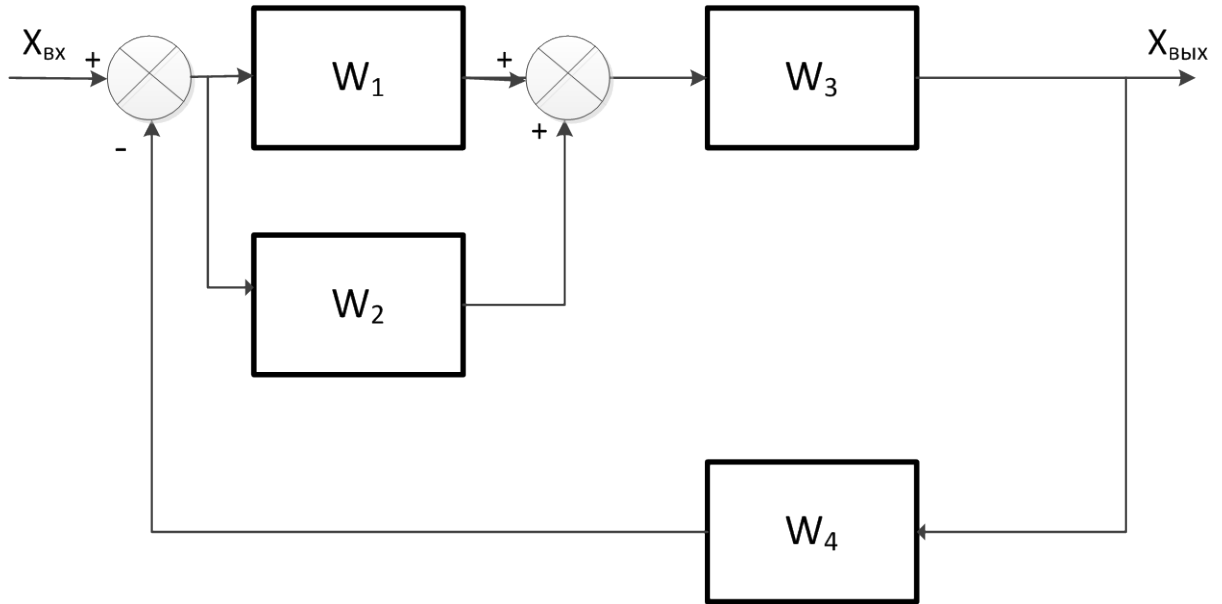


**Вариант 6**



$$W_1 = \frac{K_1}{T_1 p + 1}$$

$$K_1 = 2$$

$$T_1 = 2$$

$$W_2 = \frac{K_2}{T_2 p + 1}$$

$$K_2 = 4$$

$$T_2 = 2$$

$$W_3 = \frac{K_3}{T_3 p + 1}$$

$$K_3 = 2$$

$$T_3 = 4$$

$$W_4 = K_4$$

$$K_4 = 0.2$$

-