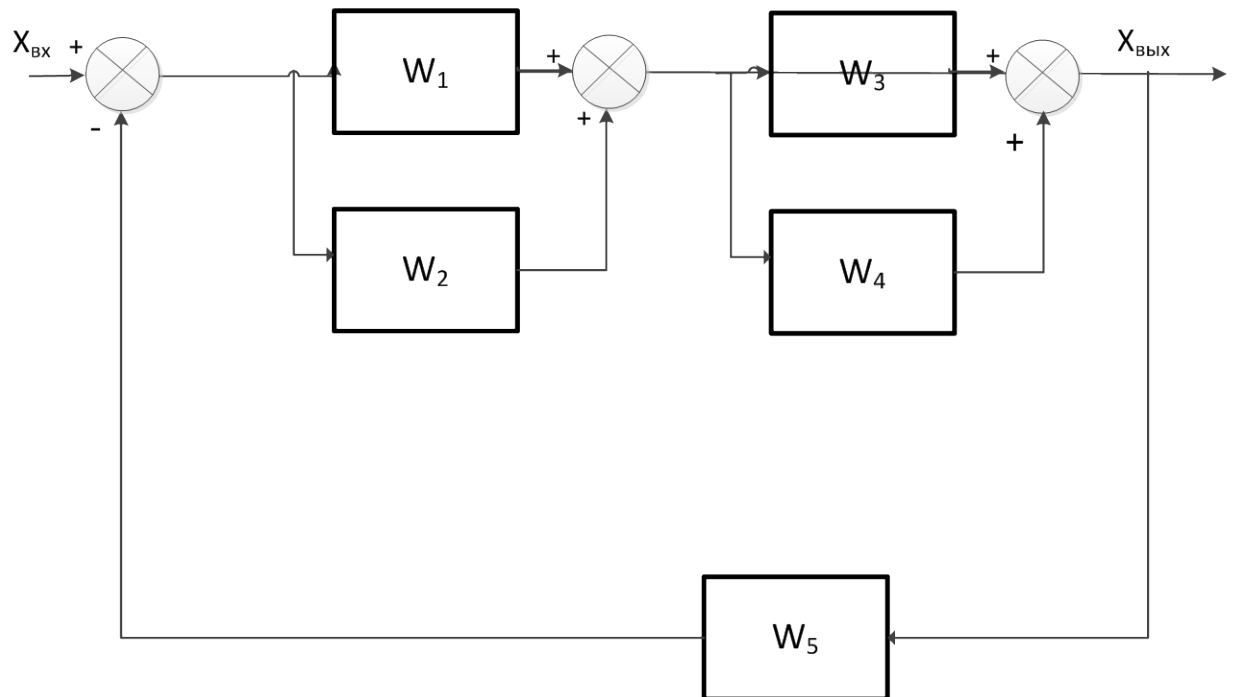


### Вариант 8



$$W_1 = \frac{K_1}{T_1 p + 1}$$

$$K_1 = 2$$

$$T_1 = 4$$

$$W_2 = \frac{K_2}{T_2 p + 1}$$

$$K_2 = 10$$

$$T_2 = 4$$

$$W_3 = \frac{K_3}{T_3 p}$$

$$K_3 = 1$$

$$T_3 = 3$$

$$W_4 = \frac{K_4}{T_4 p}$$

$$K_4 = 1$$

$$T_4 = 4$$

$$W_5 = K_5$$

$$K_5 = 0.1$$

-